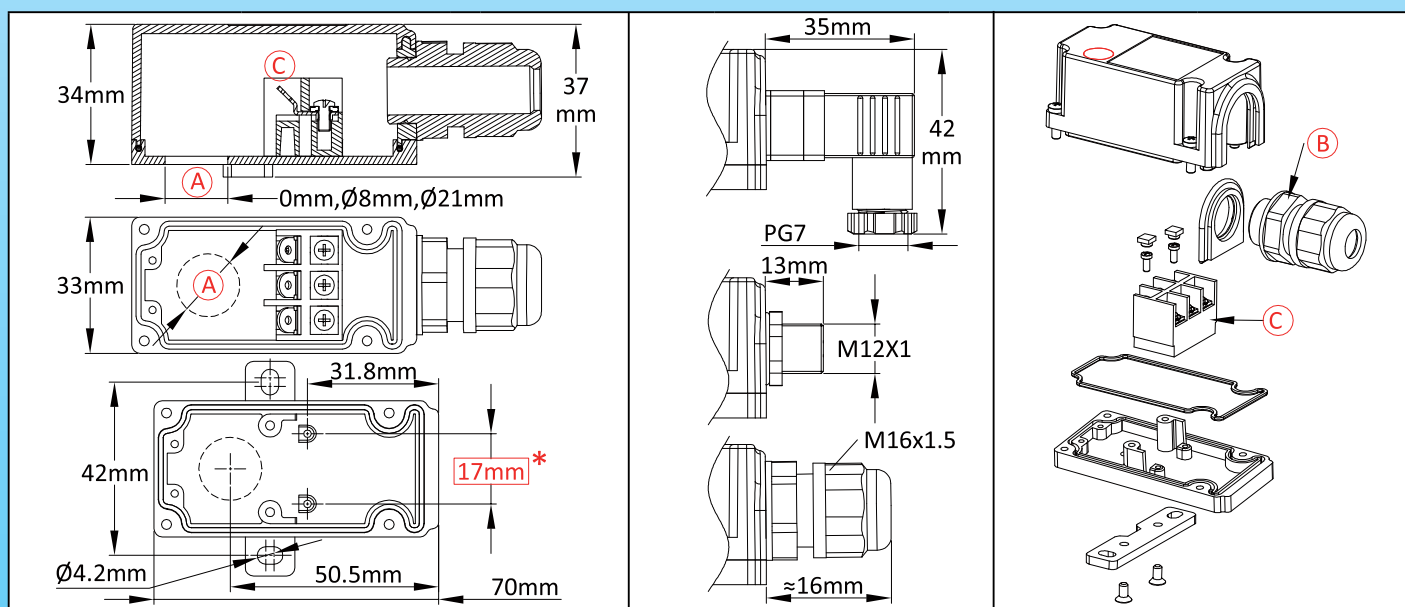
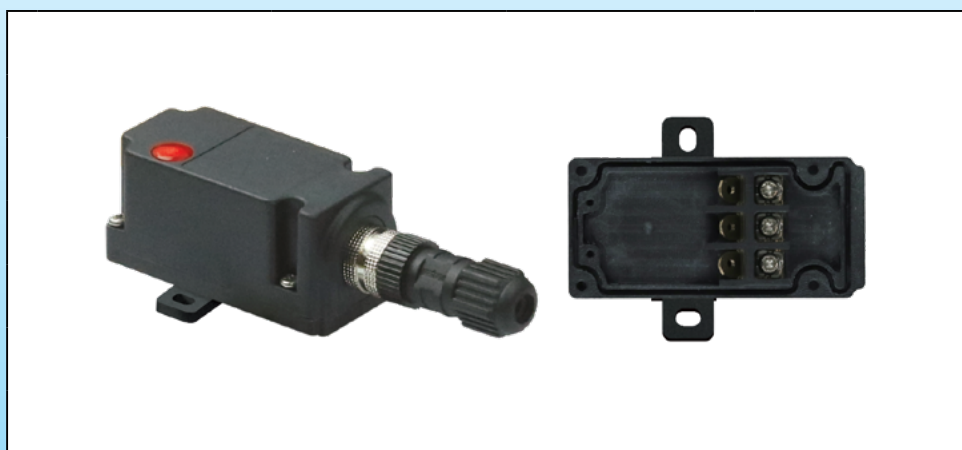


# Sub-miniature enclosure for temperature sensor, level sensor, electronic printed circuit or cartridge heater, Removable wall mounting bracket



Size(mm)	Volume(cm <sup>3</sup> )	Material	Protection grade		Model
<b>70 x 33 x 33</b>	<b>72</b>	<b>PA66</b>	<b>IPX4</b>	<b>IK8</b>	<b>Y3A2</b>

Suitable for
<input checked="" type="checkbox"/> Temperature sensor
<input type="checkbox"/> Immersion heater
<input type="checkbox"/> Finned heater
<input type="checkbox"/> Thermostat
<input checked="" type="checkbox"/> Level sensor
<input checked="" type="checkbox"/> Electronic board



## Main references

(A) (mm)	(B1)	(B2)	(B3)	With connection block (C)	Without connection block (C)
0	✓	×	×	Y3A200001E1F100T	Y3A200001E10000T
0	×	✓	×	Y3A200001E3F100T	Y3A200001E30000T
0	×	×	✓	Y3A200001E6F100T	Y3A200001E60000T
8	✓	×	×	Y3A208001E1F100T	Y3A208001E10000T
8	×	✓	×	Y3A208001E3F100T	Y3A208001E30000T
8	×	×	✓	Y3A208001E6F100T	Y3A208001E60000T
21	✓	×	×	Y3A221001E1F100T	Y3A221001E10000T
21	×	✓	×	Y3A221001E3F100T	Y3A221001E30000T
21	×	×	✓	Y3A221001E6F100T	Y3A221001E60000T

Others drilling diameters on request.

Red dimensions inside rectangular frames on drawings are used for accessories assembly.

Because of permanent improvement of our products, drawings, descriptions, features used on these data sheets are for guidance only and can be modified without prior advice